

## T-Handles

**Stainless Steel**

### SPECIFICATION

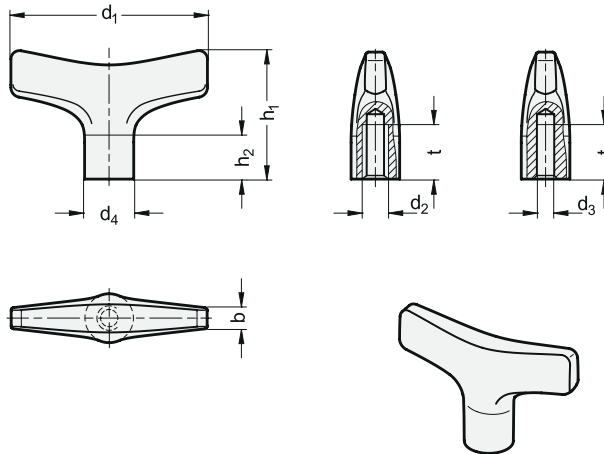
- Stainless steel AISI 316**  
 - Matte shot-blasted finish **MT**  
 - Polished **PL**

### INFORMATION

Stainless steel T-handles GN 5063 are great for lifting, moving and operating parts or for clamping purposes by means of threads. The ergonomic shape allows for high operating forces. The T-handles can also be used in particularly aggressive environments thanks to the materials used

### TECHNICAL INFORMATION

- ISO-Fundamental Tolerances (see page A21)
- Stainless Steel Characteristics (see page A26)



\* Complete with surface index of the T-Handles (MT or PL)

- MT**                      **PL**  
 Matte shot-blasted finish      Polished finish

### GN 5063

**STAINLESS STEEL**

Description	d <sub>1</sub>	d <sub>2</sub> Thread	d <sub>3</sub> H9 Bore	b	d <sub>4</sub>	h <sub>1</sub>	h <sub>2</sub> ≈	t min.	
GN 5063-63-M6-*	63	M 6	-	7	16	41	12	12	111
GN 5063-63-B6-*	63	-	B 6	7	16	41	12	12	110
GN 5063-63-M8-*	63	M 8	-	7	16	41	12	16	108
GN 5063-63-B8-*	63	-	B 8	7	16	41	12	16	106
GN 5063-80-M8-*	80	M 8	-	9	21	52	15	16	225
GN 5063-80-B8-*	80	-	B 8	9	21	52	15	16	223
GN 5063-80-M10-*	80	M 10	-	9	21	52	15	20	220
GN 5063-80-B10-*	80	-	B 10	9	21	52	15	20	216
GN 5063-100-M10-*	100	M 10	-	11	25	65	19	20	432
GN 5063-100-B10-*	100	-	B 10	11	25	65	19	20	429
GN 5063-100-M12-*	100	M 12	-	11	25	65	19	24	425
GN 5063-100-B12-*	100	-	B 12	11	25	65	19	24	419

Weight type MT

